

Engineered for you...

acorn
industrial services limited



acorn

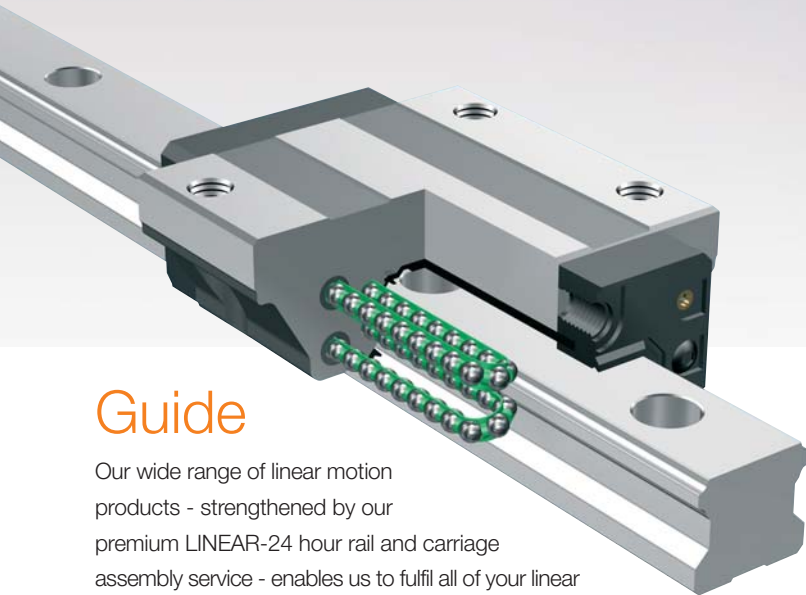
industrial services limited

Run

From Bearings to Pneumatic Cylinders, Acorn provide an array of products to ensure your machinery runs smoothly and efficiently. **Products include: Ball Bearings, Roller Bearings, Needle Bearings, Bearing Units, Bearing Housings, Pneumatic Cylinders, Pneumatic Tubing and Connectors, Hydraulics, Castors & Wheels and much more...**

Drive

Acorn offer a full range of solutions to drive your machinery - from a simple timing or v-belt through to designing complex full drive systems. With Acorn's technical support and product knowledge, you're in good hands. **Products include: Belts & Pulleys, Chains & Sprockets, Couplings & Hubs, Tapered Bushings.**



Guide

Our wide range of linear motion products - strengthened by our premium LINEAR-24 hour rail and carriage assembly service - enables us to fulfil all of your linear motion requirements quickly. Linear motion specialists are also on-hand to provide technical support, including determining and developing the right solution and specification for your application. **Products include: Linear Guides, Carriages, Linear Shafts, Bushings, Actuators, Ball Screws, Roller Screws and Gas Springs.**



Maintenance products includes;

Lubricants
Condition Monitoring Equipment
Adhesives
Filtration
Fasteners,
Tools and much more...

Maintain

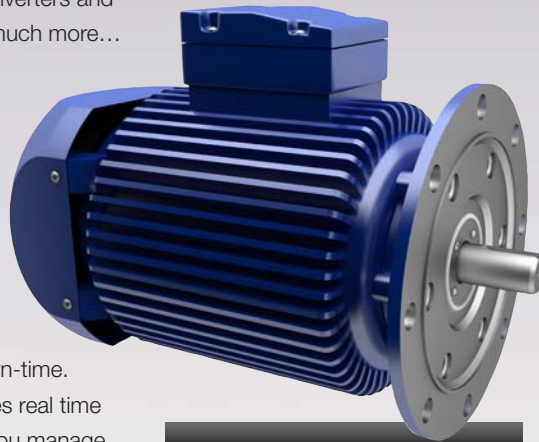
With increasing pressures to become more energy efficient and to economise, squeezing maximum efficiency out of your machinery is paramount. Acorn offer a broad range of maintenance products to ensure your machinery always runs at its optimum.

Engineered for you...



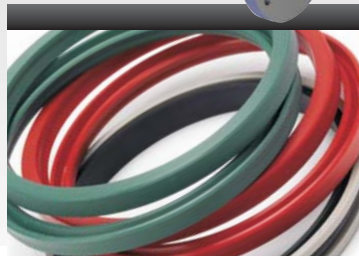
Power

In addition to our supply of motors, variable speed drives and gearboxes to help you power your applications, Acorn can also assist with gearbox design. Products include: Electric Motors, Variable Speed Drives, Gearboxes, Inverters and much more...



Manage

Acorn provide the solution to maximise the efficiency of your plant management - keeping it running with the minimum of down-time. Our sophisticated computer system provides real time stock levels and reporting features to help you manage your stocks. Acorn's distribution centres will be your warehouse and carry the products you need so that you don't have to. Our fleet of delivery vehicles and carrier services guarantee you will always have the products you need - When you need them.



Protect

Whatever protection equipment you need - whether it is seals and gaskets, or personal protective equipment - Acorn can help. With the many different types of seals and gaskets available, you need a company that you can rely on, a company with the knowledge and experience needed to supply the correct protection for your application. Acorn's highly experienced staff have years of knowledge to offer, why not let them take the hassle out of sourcing your protection products?

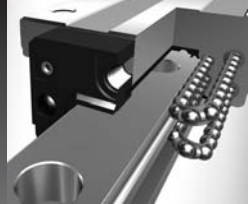
Protection range includes;

- Radial Shaft Seals
- Axial Shaft Seals
- Hydraulic Seals
- Piston Seals
- Rod Seals
- Composite Seals
- Wiper Seals
- Special Seals
- Wear Rings
- O-Rings & Gaskets
- Health & Safety Products
- Personal Protective Equipment

Run



Guide



Drive



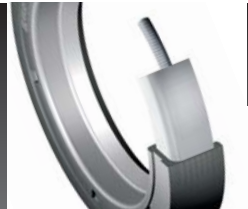
Power



Maintain



Protect



Manage



Customer Service Excellence

Our dedicated, experienced and friendly customer service team are on hand to respond to your needs. With a maximum call waiting time of just 8 seconds and a 24 hour emergency response service, you can be sure of immediate assistance day or night.



"I get great satisfaction from helping my customers solve their technical problems".

Clive Simkins, Rotary Specialist
Acorn Industrial Services Ltd

Access Technical Assistance

Our expert product specialists offer off-site and on-site technical assistance and product training.



Extensive Range of Quality Products

We offer you an authorised route to SKF and other leading brands, with over 40,000 stocked product lines in our 30,000 sq feet distribution centre and regional distribution centres.



24 Hour Linear Rail & Carriage Assembly Service

Linear 24, our premium linear rail and carriage assembly service, enables us to cut, assemble and deliver your order within 24 hours.





Bespoke Belt Cutting Service

Our fast belt cutting service combined with a comprehensive stock of leading belt brands enable us to fulfil all of your belt requirements.



Know Your Sources

Our quality control systems guarantee you only receive high quality products and provide protection against counterfeits.



Accurate Product Picking

Our efficient systems enable our dispatch team to maintain a 99% accurate picking record.



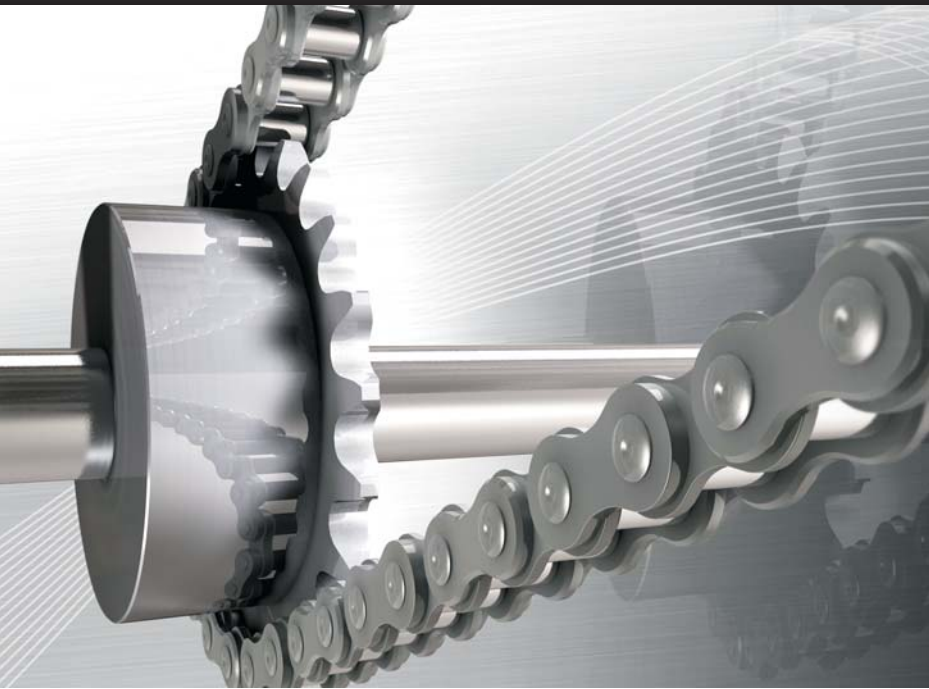
"At Acorn we support one another to make sure our customers get an unrivalled service".
Steve Smith, Acorn Cumbria Branch

"It's great to work for a company where so many individuals have a real passion for the industry we are in".
Steve Brooks, Business Development Manager, Acorn South West RDC

Responsive & Reliable Delivery

We offer you same day, and next day delivery on thousands of products. Through complimenting our own fleet of delivery vans with courier services we achieve 99.5% delivery targets.





Award Winning Customer Service

At Acorn Industrial Services Ltd we have been committed to delivering service excellence to our customers since 1983. Whether you need quality products at competitive prices; prompt and reliable delivery; or technical support and training from our dedicated product specialists; we are devoted to working in partnership with you and your business.

I can highly recommend Acorn to any company, they are a professional and enthusiastic supplier with an excellent technical support service. With good communication skills and a very competitive pricing policy.
Gary Procter - Lead Procurement Specialist, Diamould

Our extensive product range includes;

Bearings
Actuators & Linear
Belts & Pulleys
Chain & Sprockets
Motors & Inverters
Gearboxes
Seals & Gaskets
Adhesives & Lubricants
Couplings & Clutches
Pneumatics & Hydraulics
Maintenance Products
Tools
Health & Safety
Castors & Wheels
Conveyor Products
Electronic Components
and Much More...





Fast and Reliable 24/7 Response Service

With 40,000 product lines stocked at our central and regional distribution centres as well as next day access to over 60,000 additional products; we can offer you a reliable and free same day or next day delivery service. Our commitment to service excellence is reflected by our 99.5% delivery target rate and 99% accurate product picking record.

To offer you fast, efficient and quality linear rail and carriage fulfilment, we have developed Linear 24, to provide a unique 'delivered in 24 hour' assembly service. We also offer a rapid belt cutting service; providing a bespoke service tailored to the needs of you and your customers.

Access Technical Expertise and Training

As an authorised distributor for many leading industry manufacturers, we give you unlimited access to product knowledge and technical assistance; backed up by on-site visits and training by our dedicated regional product and application specialists. Our support services are further strengthened by our 24 hour emergency call out service and Acorn Advantage web-based scheme, which provides further marketing, product and technical support to our valued customers.

Authorise distributors for many leading manufacturers including:



acorn

industrial services limited

www.acorn-ind.co.uk



Acorn South Yorkshire - CDC
Midland Road, Rotherham,
South Yorkshire,
S61 1TE, England
Tel: 01709 786 166
Fax: 01709 480 565
southyorkshire@acorn-ind.co.uk

Acorn Midlands - RDC
Units 17 & 21, Bloomfield Park,
Bloomfield Road, Tipton,
West Midlands, DY4 9AH
Tel: 0121 521 5999
Fax: 0121 521 5888
midlands@acorn-ind.co.uk

Acorn North East - RDC
Unit 9, Whitworth Road,
Armstrong Ind. Est., District 2;
Washington, Tyne & Wear, NE37 1PP
Tel: 0191 417 8899
Fax: 0191 419 0001
northeast@acorn-ind.co.uk

Acorn South West - RDC
Unit 2, Lescren Way,
Avonmouth
Bristol, BS11 8DG
Tel: 01179 820 414
Fax: 01179 823 222
southwest@acorn-ind.co.uk

Acorn Scotland Branch
1A Law House, Fairbairn Place
Livingston, West Lothian,
EH54 6TN
Tel: 01506 476199
Fax: 01506 462655
scotland@acorn-ind.co.uk

Acorn Cumbria Branch
Unit G7, Waterside House,
Bridge Approach Barrow-in-Furness
Cumbria, LA14 2HE
Tel: 0845 602 3568
Fax: 01229 833510
cumbria@acorn-ind.co.uk



M.02.01