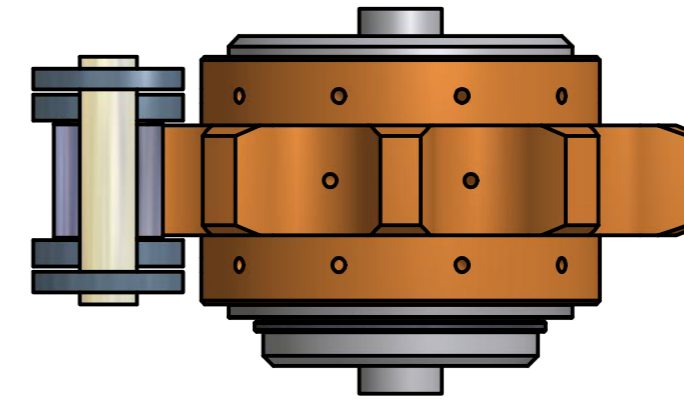
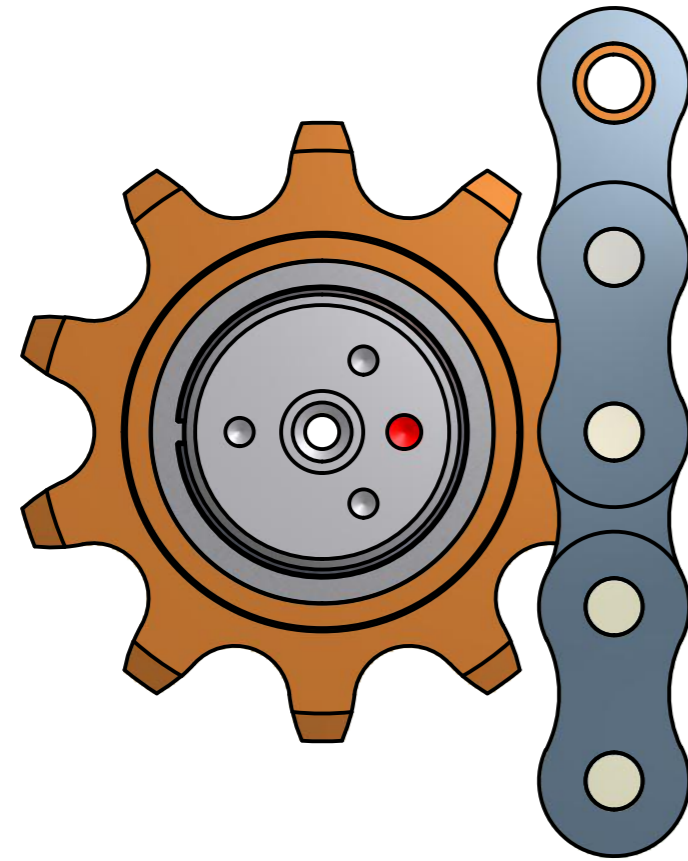


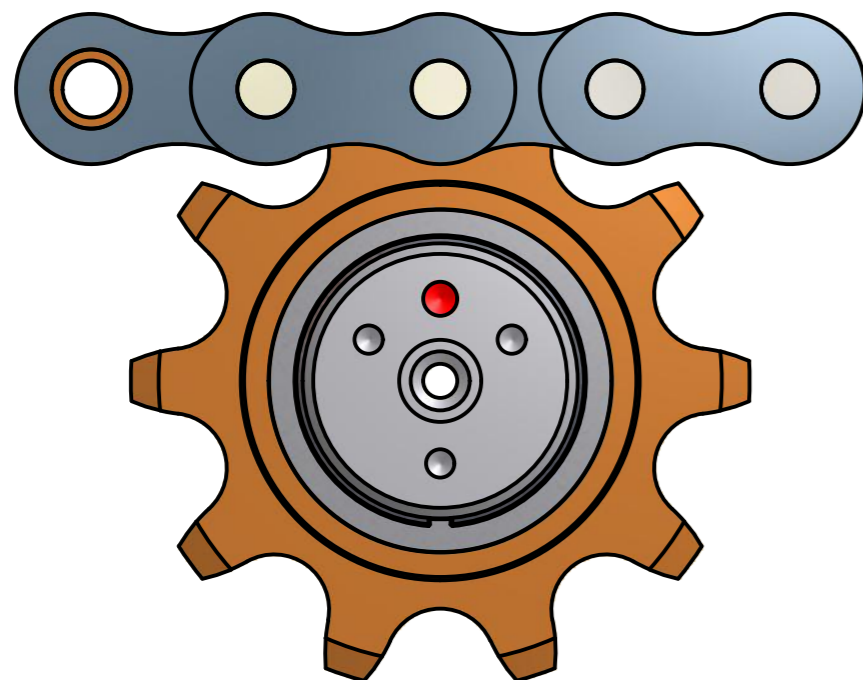
Orientation 'A'
Mounted Firing Vertically Down



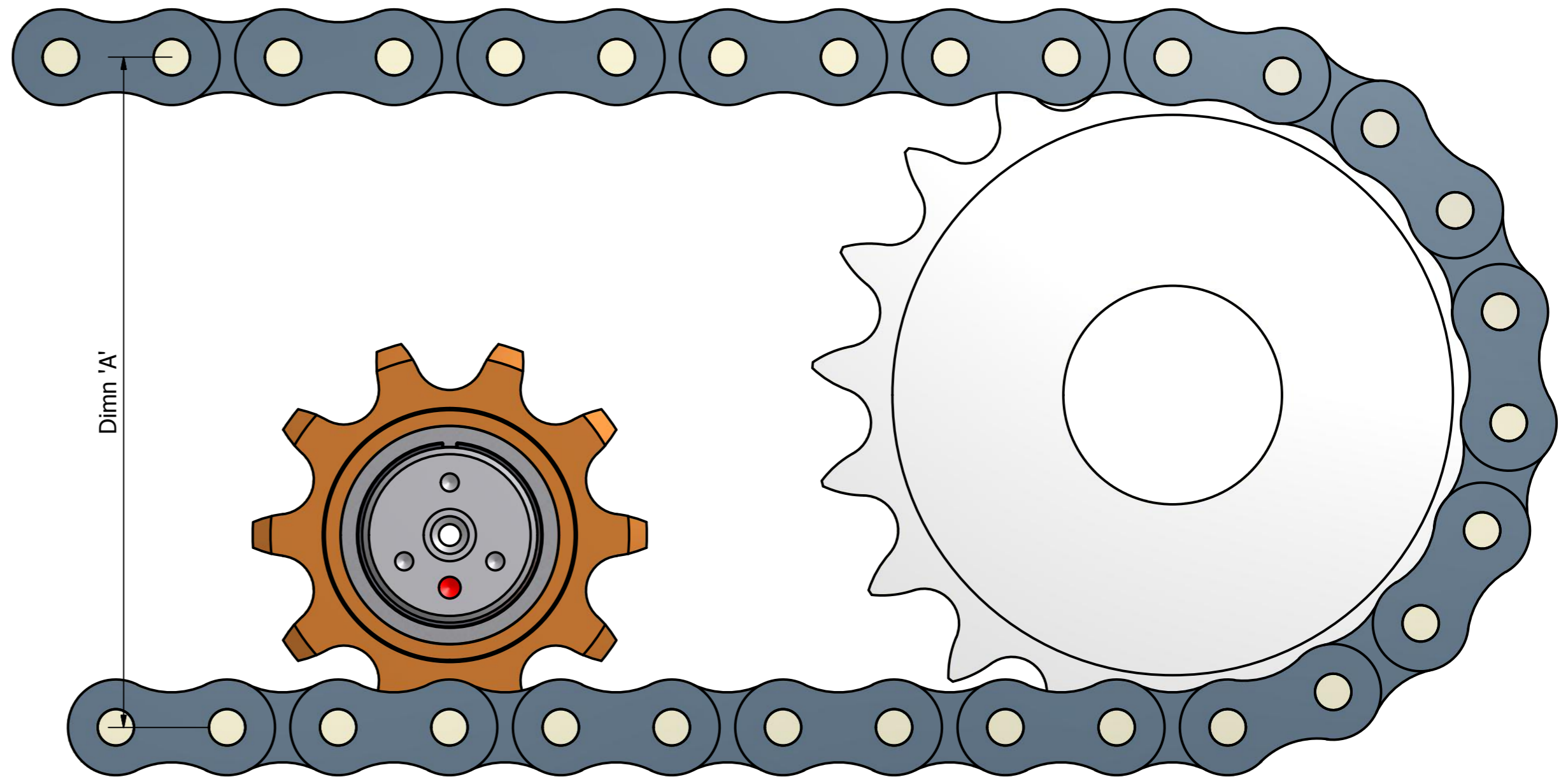
Orientation 'D'
Mounted Horizontally



Orientation 'B'
Mounted Firing Sideways



Orientation 'C'
Mounted Firing Vertically Up



Orientation 'E'
Mounted On Inside of Chain
(To avoid attachments etc)

MATERIAL	METRIC DIMENSIONS	ACORN INDUSTRIAL SERVICES LTD					
	UNSTATED TOLERANCES	0800 8766 441					
WEIGHT 1.46 kg	GENERAL M/C TOLERANCES	X ± 1mm	EMAIL: ENQUIRIES@ACORN-IND.CO.UK				
		.X ± 0.25mm	TITLE				
		.XX ± 0.10mm	Rotalube Applicator Mounting Orientation				
SURFACE FINISH TO OR BETTER	ANGLES ± 1'		DRAWN	Stuart	DATE	05/10/2018	MOD LEVEL
			CHECKED		DRG No.		
			APPROVED		No 1		

THIS DRAWING IS THE PROPERTY OF ROTALUBE SYSTEMS Ltd AND IS COPYRIGHT. IT MUST NOT BE USED, COPIED OR LENT WITHOUT WRITTEN PERMISSION

SHEET No. **1** of **1**